

Technical datasheet

Jacmounts M20x1.5 PRSK 240-20 /725

Art. no.
1.17241-20.68

For presses, stamping and injection moulding machines, machines with high dynamic vertical force. Fast and effective movement damping.

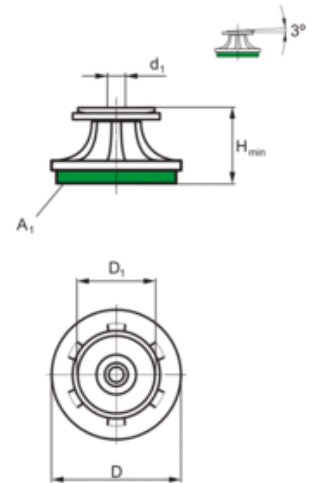
Max. load
6000 daN

Article information	
Type	PRSK 240-20 /725
Name	Jacmounts M20x1.5
Art. no.	1.17241-20.68
Color	RAL 7001 silver grey
Other colors upon request.	
Surface treatment	painted

Type illustration

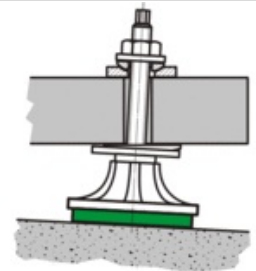



Dimensioned sketch



Technical Data		Dimensions	
Max. load [daN]	6000	Height H_{min} [mm]	109
Leveling range [mm]	30	Diameter D [mm]	239
Weight [kg]	11.339	Diameter D_1 [mm]	138
Temperature range from [°C]	-15	inner thread d_1	M20x1.5
Temperature range to [°C]	100	Pad equipment	
		Bottom pad type	725
		Pad thickness unloaded [mm]	25
		Coefficient of friction on concrete with fine mortar	0.8
		Hardness [° Shore A]	70 - 75
		Bottom pad area A_1 [cm ²]	412

Mounting sketch



Suitable studs, special studs, leveling screws, leveling sockets			
	Levelling studs PRS/PRSK	M20x1.5	more

Accessories			
	Spherical washers set		more

Remark extent of supply	
Levelling studs and accessories need to be ordered separately.	