

Technical datasheet

Wedgmounts 7-VRC /NF

Art. no.
1.30007.61

For passive placement of sensitive devices and machine placement in multi storied buildings.
Best vibration isolation.

Max. load
2000 daN

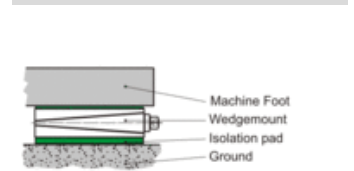
Article information	
Type	7-VRC /NF
Name	Wedgmounts
Art. no.	1.30007.61
Color	RAL 7016 anthracite grey
Other colors upon request.	
Surface treatment	Painted

Type illustration



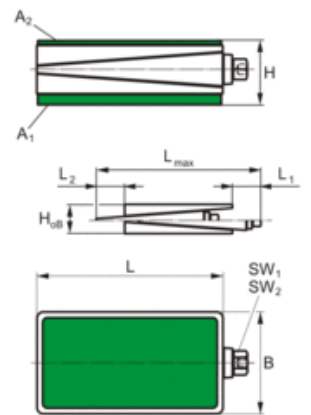
Technical Data		Dimensions	
Max. load [daN]	2000	Height H [mm]	86
Leveling range [mm]	8	Height H_{0B} in neutral position, without pads [mm]	70
Leveling range [mm]	-10	Length L [mm]	175
Leveling distance per turn [mm]	0.3	Length L_1 [mm]	79
Temperature range from [°C]	-20	Length L_2 [mm]	36
Temperature range to [°C]	80	Length L_{max} [mm]	306
Weight [kg]	13.3	Width B [mm]	230

System description



Pad equipment		Dimensions	
Bottom pad type	B1	Width across flats SW_1 [mm]	30
Pad thickness unloaded [mm]	13	Width across flats SW_2 [mm]	17
Coefficient of friction on concrete with fine mortar	0.9		
Coefficient of friction tolerance +/-	0.1		
Hardness [° Shore A]	40 - 45		
Bottom pad area A_1 [cm ²]	400		
Top pad type	903		
Pad thickness unloaded [mm]	3		
Coefficient of friction on concrete with fine mortar	0.8		
Hardness [° Shore A]	90 - 95		
Top pad area A_2 [cm ²]	400		

Dimensioned sketch



Mounting sketch

