

Technical datasheet

Wedgmounts 7-VRC /NK

Art. no.
1.30007.65

For transport lines, special machines and tool machines. High load capacity, excellent constant leveling stability and overall stability.

Max. load
10000 daN

Article information	
Type	7-VRC /NK
Name	Wedgmounts
Art. no.	1.30007.65
Color	RAL 7016 anthracite grey
Other colors upon request.	
Surface treatment	painted

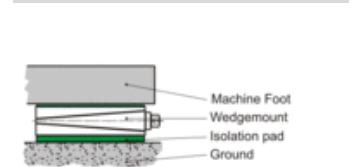
Type illustration



Technical Data	
Max. load [daN]	10000
Leveling range [mm]	8
Leveling range [mm]	-10
Leveling distance per turn [mm]	0.3
Temperature range from [°C]	-20
Temperature range to [°C]	80
Weight [kg]	13.735

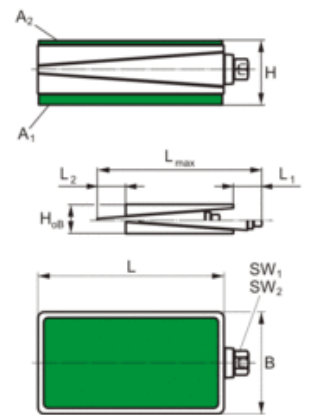
Dimensions	
Height H [mm]	88
Height H_{0B} in neutral position, without pads [mm]	70
Length L [mm]	175
Length L_1 [mm]	79
Length L_2 [mm]	36
Length L_{max} [mm]	306
Width B [mm]	230
Width across flats SW_1 [mm]	30
Width across flats SW_2 [mm]	17

System description



Pad equipment	
Bottom pad type	915
Pad thickness unloaded [mm]	15
Coefficient of friction on concrete with fine mortar	0.8
Coefficient of friction tolerance +/-	0.1
Hardness [° Shore A]	90 - 95
Bottom pad area A_1 [cm ²]	400
Top pad type	903
Pad thickness unloaded [mm]	3
Coefficient of friction on concrete with fine mortar	0.8
Hardness [° Shore A]	90 - 95
Top pad area A_2 [cm ²]	400

Dimensioned sketch



Mounting sketch

