

# Technical datasheet

## Wedgmounts 303-VRC /NF

Art. no.  
**1.30303.61**

For passive placement of sensitive devices and machine placement in multi storied buildings.  
Best vibration isolation.

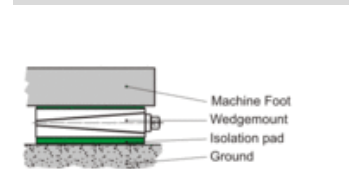
Max. load  
**1000 daN**

| Article information        |                          |
|----------------------------|--------------------------|
| Type                       | 303-VRC /NF              |
| Name                       | Wedgmounts               |
| Art. no.                   | 1.30303.61               |
| Color                      | RAL 7016 anthracite grey |
| Other colors upon request. |                          |
| Surface treatment          | Painted                  |

### Type illustration

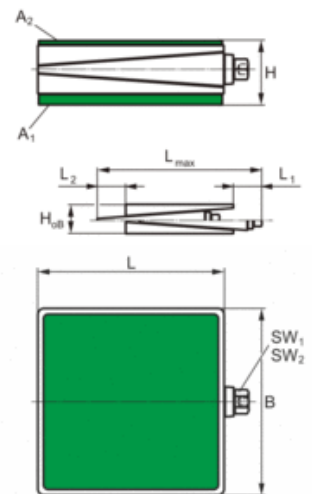


### System description



| Technical Data                                       |         | Dimensions   |     |
|--|---------|--|-----|
| Max. load [daN]                                      | 1000    | Height H [mm]  | 61  |
| Leveling range [mm]                                  | 6       | Height $H_{0B}$ in neutral position, without pads [mm] | 46  |
| Leveling range [mm]                                  | -6      | Length L [mm]  | 140 |
| Leveling distance per turn [mm]                      | 0.29    | Length $L_1$ [mm]                                      | 51  |
| Temperature range from [°C]                          | -20     | Length $L_2$ [mm]                                      | 30  |
| Temperature range to [°C]                            | 80      | Length $L_{max}$ [mm]                                  | 219 |
| Weight [kg]  | 4.676   | Width B [mm]   | 140 |
| <b>Pad equipment</b>                                 |         | Width across flats $SW_1$ [mm]                         | 22  |
| Bottom pad type                                      | B1      | Width across flats $SW_2$ [mm]                         | 12  |
| Pad thickness unloaded [mm]                          | 13      |  |     |
| Coefficient of friction on concrete with fine mortar | 0.9     |  |     |
| Coefficient of friction tolerance +/-                | 0.1     |  |     |
| Hardness [° Shore A]                                 | 40 - 45 |  |     |
| Bottom pad area $A_1$ [cm <sup>2</sup> ]             | 190     |  |     |
| Top pad type   | 903     |  |     |
| Pad thickness unloaded [mm]                          | 3       |  |     |
| Coefficient of friction on concrete with fine mortar | 0.8     |  |     |
| Hardness [° Shore A]                                 | 90 - 95 |  |     |
| Top pad area $A_2$ [cm <sup>2</sup> ]                | 190     |  |     |

### Dimensioned sketch



### Mounting sketch

