

Technical datasheet

Wedgmounts 407-VRC /NA

Art. no.
1.30407.56

For tool, plastic, graphic and general production machines. Superior isolation and damping properties. Excellent non-skid properties.

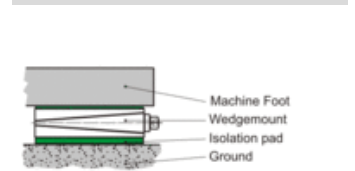
Max. load
10000 daN

Article information	
Type	407-VRC /NA
Name	Wedgmounts
Art. no.	1.30407.56
Color	RAL 7016 anthracite grey
Other colors upon request.	
Surface treatment	Painted

Type illustration



System description

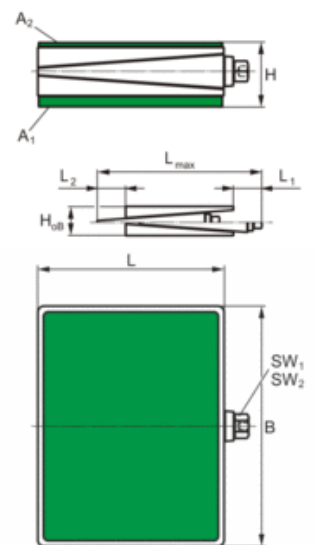


Technical Data	
Max. load [daN]	10000
Leveling range [mm]	11
Leveling range [mm]	-10
Leveling distance per turn [mm]	0.23
Temperature range from [°C]	-15
Temperature range to [°C]	100
Weight [kg]	16.9

Dimensions	
Height H [mm]	85
Height H_{0B} in neutral position, without pads [mm]	65
Length L [mm]	250
Length L_1 [mm]	83
Length L_2 [mm]	73
Length L_{max} [mm]	414
Width B [mm]	200
Width across flats SW_1 [mm]	27
Width across flats SW_2 [mm]	14

Pad equipment	
Bottom pad type	716
Pad thickness unloaded [mm]	15
Coefficient of friction on concrete with fine mortar	0.85
Coefficient of friction tolerance +/-	0.1
Hardness [° Shore A]	70 - 75
Bottom pad area A_1 [cm ²]	500
Top pad type	706
Pad thickness unloaded [mm]	5
Coefficient of friction on concrete with fine mortar	0.85
Hardness [° Shore A]	70 - 75
Top pad area A_2 [cm ²]	500

Dimensioned sketch



Mounting sketch

