

Technical datasheet

Wedgmounts 406-VRC /NS

Art. no.
1.30406.73

For lathes, grinding machines, boring machines, transport lines and special machines. Ideal stability and non-skid properties. Without vibration isolation.

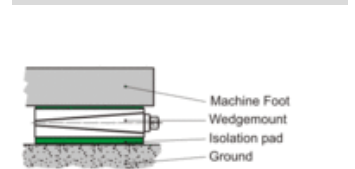
Max. load
8000 daN

Article information	
Type	406-VRC /NS
Name	Wedgmounts
Art. no.	1.30406.73
Color	RAL 7016 anthracite grey
Other colors upon request.	
Surface treatment	painted

Type illustration

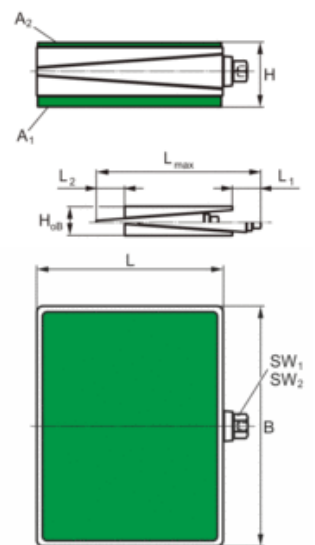


System description



Technical Data		Dimensions	
Max. load [daN]	8000	Height H [mm]	58
Leveling range [mm]	5.5	Height H_{0B} in neutral position, without pads [mm]	54
Leveling range [mm]	-6	Length L [mm]	115
Leveling distance per turn [mm]	0.27	Length L_1 [mm]	59
Temperature range from [°C]	-20	Length L_2 [mm]	30
Temperature range to [°C]	80	Length L_{max} [mm]	221
Weight [kg]	8.1	Width B [mm]	250
Pad equipment		Width across flats SW_1 [mm]	22
Bottom pad type	902	Width across flats SW_2 [mm]	12
Pad thickness unloaded [mm]	2		
Coefficient of friction on concrete with fine mortar	0.8		
Coefficient of friction tolerance +/-	0.1		
Hardness [° Shore A]	90 - 95		
Bottom pad area A_1 [cm ²]	275		
Top pad type	902		
Pad thickness unloaded [mm]	2		
Coefficient of friction on concrete with fine mortar	0.8		
Hardness [° Shore A]	90 - 95		
Top pad area A_2 [cm ²]	275		

Dimensioned sketch



Mounting sketch

