

Technical datasheet

Wedgmounts 414-VRC /NS

Art. no.
1.30414.73

For lathes, grinding machines, boring machines, transport lines and special machines. Ideal stability and non-skid properties. Without vibration isolation.

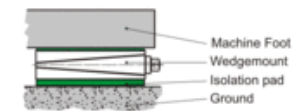
Max. load
30000 daN

Article information	
Type	414-VRC /NS
Name	Wedgmounts
Art. no.	1.30414.73
Color	RAL 7016 anthracite grey
Other colors upon request.	
Surface treatment	painted

Type illustration

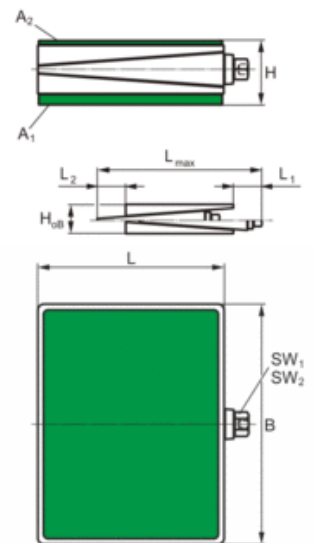


System description



Technical Data		Dimensions	
Max. load [daN]	30000	Height H [mm]	88
Leveling range [mm]	9	Height H _{0B} in neutral position, without pads [mm]	84
Leveling range [mm]	-9	Length L [mm]	300
Leveling distance per turn [mm]	0.23	Length L ₁ [mm]	117
Temperature range from [°C]	-20	Length L ₂ [mm]	79
Temperature range to [°C]	80	Length L _{max} [mm]	497
Weight [kg]	31.42	Width B [mm]	250
Pad equipment		Width across flats SW ₁ [mm]	36
Bottom pad type	902		
Pad thickness unloaded [mm]	2		
Coefficient of friction on concrete with fine mortar	0.8		
Coefficient of friction tolerance +/-	0.1		
Hardness [° Shore A]	90 - 95		
Bottom pad area A ₁ [cm ²]	750		
Top pad type	902		
Pad thickness unloaded [mm]	2		
Coefficient of friction on concrete with fine mortar	0.8		
Hardness [° Shore A]	90 - 95		
Top pad area A ₂ [cm ²]	750		

Dimensioned sketch



Mounting sketch

