

Technical datasheet

Wedgmounts 414-VRC /NS

Art. no.
1.30414.73

For lathes, grinding machines, boring machines, transport lines and special machines. Ideal stability and non-skid properties. Without vibration isolation.

Max. load
30000 daN

Article information	
Type	414-VRC /NS
Name	Wedgmounts
Art. no.	1.30414.73
Color	RAL 7016 anthracite grey
Other colors upon request.	
Surface treatment	Painted

Technical Data	
Max. load [daN]	30000
Leveling range [mm]	9
Leveling range [mm]	-9
Leveling distance per turn [mm]	0.23
Temperature range from [°C]	-20
Temperature range to [°C]	80
Weight [kg]	31.42

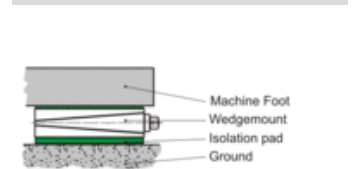
Pad equipment	
Bottom pad type	902
Pad thickness unloaded [mm]	2
Coefficient of friction on concrete with fine mortar	0.8
Coefficient of friction tolerance +/-	0.1
Hardness [° Shore A]	90 - 95
Bottom pad area A_1 [cm ²]	750
Top pad type	902
Pad thickness unloaded [mm]	2
Coefficient of friction on concrete with fine mortar	0.8
Hardness [° Shore A]	90 - 95
Top pad area A_2 [cm ²]	750

Dimensions	
Height H [mm]	88
Height H_{0B} in neutral position, without pads [mm]	84
Length L [mm]	300
Length L_1 [mm]	117
Length L_2 [mm]	79
Length L_{max} [mm]	497
Width B [mm]	250
Width across flats SW_1 [mm]	36

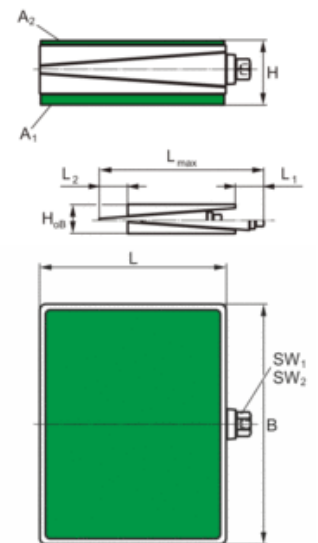
Type illustration



System description



Dimensioned sketch



Mounting sketch

