

Technical datasheet

Wedgmounts 2-VRC /NA

Art. no.
1.30002.56

For tool, plastic, graphic and general production machines. Superior isolation and damping properties. Excellent non-skid properties.

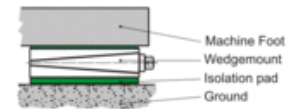
Max. load
5000 lbs

Article information	
Type	2-VRC /NA
Name	Wedgmounts
Art. no.	1.30002.56
Color	RAL 7016 anthracite grey
Other colors upon request.	
Surface treatment	Painted



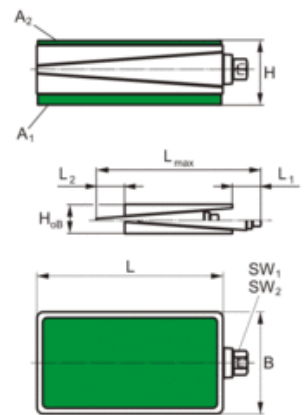
Technical Data		Dimensions	
Max. load [lbs]	5000	Height H [mm]	58
Leveling range [mm]	5	Height H_{0B} in neutral position, without pads [mm]	38
Leveling range [mm]	-5	Length L [mm]	150
Leveling distance per turn [mm]	0.2	Length L_1 [mm]	43
Temperature range from [°C]	-15	Length L_2 [mm]	27
Temperature range to [°C]	100	Length L_{max} [mm]	229
Weight [kg]	2.664	Width B [mm]	75

System description



Pad equipment		Dimensions	
Bottom pad type	716	Width across flats SW_1 [mm]	19
Pad thickness unloaded [mm]	15	Width across flats SW_2 [mm]	10
Coefficient of friction on concrete with fine mortar	0.85		
Coefficient of friction tolerance +/-	0.1		
Hardness [° Shore A]	70 - 75		
Bottom pad area A_1 [cm ²]	110		
Top pad type	706		
Pad thickness unloaded [mm]	5		
Coefficient of friction on concrete with fine mortar	0.85		
Hardness [° Shore A]	70 - 75		
Top pad area A_2 [cm ²]	110		

Dimensioned sketch



Mounting sketch

