

Technical datasheet

Wedgmounts 2-VRC /NK

Art. no.
1.30002.65

For transport lines, special machines and tool machines. High load capacity, excellent constant leveling stability and overall stability.

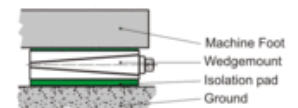
Max. load
9000 lbs

| Article information | |
|----------------------------|--------------------------|
| Type | 2-VRC /NK |
| Name | Wedgmounts |
| Art. no. | 1.30002.65 |
| Color | RAL 7016 anthracite grey |
| Other colors upon request. | |
| Surface treatment | painted |



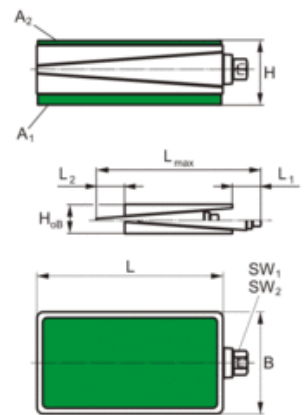
| Technical Data | | Dimensions | |
|---------------------------------|-------|--|-----|
| Max. load [lbs] | 9000 | Height H [mm] | 56 |
| Leveling range [mm] | 5 | Height H_{0B} in neutral position, without pads [mm] | 38 |
| Leveling range [mm] | -5 | Length L [mm] | 150 |
| Leveling distance per turn [mm] | 0.2 | Length L_1 [mm] | 43 |
| Temperature range from [°C] | -20 | Length L_2 [mm] | 27 |
| Temperature range to [°C] | 80 | Length L_{max} [mm] | 229 |
| Weight [kg] | 2.639 | Width B [mm] | 75 |

System description



| Pad equipment | | Dimensions | |
|--|---------|--------------------------------|----|
| Bottom pad type | 915 | Width across flats SW_1 [mm] | 19 |
| Pad thickness unloaded [mm] | 15 | Width across flats SW_2 [mm] | 10 |
| Coefficient of friction on concrete with fine mortar | 0.8 | | |
| Coefficient of friction tolerance +/- | 0.1 | | |
| Hardness [° Shore A] | 90 - 95 | | |
| Bottom pad area A_1 [cm ²] | 110 | | |
| Top pad type | 903 | | |
| Pad thickness unloaded [mm] | 3 | | |
| Coefficient of friction on concrete with fine mortar | 0.8 | | |
| Hardness [° Shore A] | 90 - 95 | | |
| Top pad area A_2 [cm ²] | 110 | | |

Dimensioned sketch



Mounting sketch

