

Technical datasheet

Wedgmounts 7-VRC /NA

Art. no.
1.30007.56

For tool, plastic, graphic and general production machines. Superior isolation and damping properties. Excellent non-skid properties.

Max. load
18000 lbs

Article information	
Type	7-VRC /NA
Name	Wedgmounts
Art. no.	1.30007.56
Color	RAL 7016 anthracite grey
Other colors upon request.	
Surface treatment	Painted

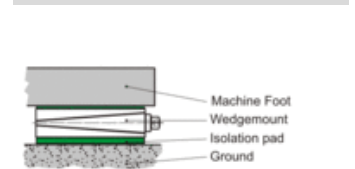
Type illustration



Technical Data	
Max. load [lbs]	18000
Leveling range [mm]	8
Leveling range [mm]	-10
Leveling distance per turn [mm]	0.3
Temperature range from [°C]	-15
Temperature range to [°C]	100
Weight [kg]	13.55

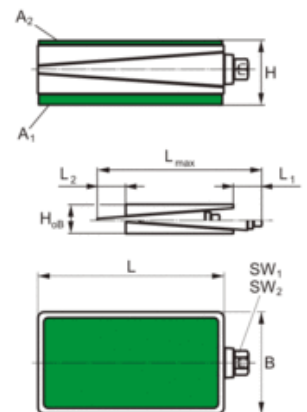
Dimensions	
Height H [mm]	90
Height H_{0B} in neutral position, without pads [mm]	70
Length L [mm]	175
Length L_1 [mm]	79
Length L_2 [mm]	36
Length L_{max} [mm]	306
Width B [mm]	230
Width across flats SW_1 [mm]	30
Width across flats SW_2 [mm]	17

System description



Pad equipment	
Bottom pad type	716
Pad thickness unloaded [mm]	15
Coefficient of friction on concrete with fine mortar	0.85
Coefficient of friction tolerance +/-	0.1
Hardness [° Shore A]	70 - 75
Bottom pad area A_1 [cm ²]	400
Top pad type	706
Pad thickness unloaded [mm]	5
Coefficient of friction on concrete with fine mortar	0.85
Hardness [° Shore A]	70 - 75
Top pad area A_2 [cm ²]	400

Dimensioned sketch



Mounting sketch

