

# Technical datasheet

## Wedgmounts 303-VRC /NA

Art. no.  
**1.30303.56**

For tool, plastic, graphic and general production machines. Superior isolation and damping properties. Excellent non-skid properties.

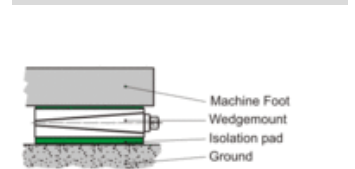
Max. load  
**8000 lbs**

Article information	
Type	303-VRC /NA
Name	Wedgmounts
Art. no.	1.30303.56
Color	RAL 7016 anthracite grey
Other colors upon request.	
Surface treatment	painted

### Type illustration

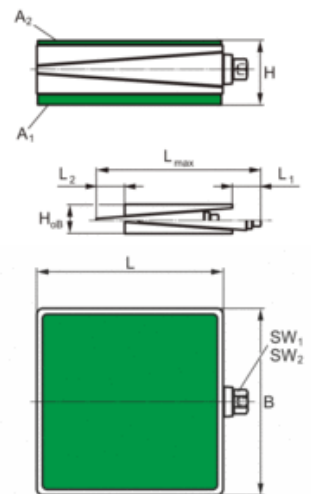


### System description



Technical Data		Dimensions	
Max. load [lbs]	8000	Height H [mm]	66
Leveling range [mm]	6	Height $H_{0B}$ in neutral position, without pads [mm]	46
Leveling range [mm]	-6	Length L [mm]	140
Leveling distance per turn [mm]	0.29	Length $L_1$ [mm]	51
Temperature range from [°C]	-15	Length $L_2$ [mm]	30
Temperature range to [°C]	100	Length $L_{max}$ [mm]	219
Weight [kg]	4.75	Width B [mm]	140
<b>Pad equipment</b>		Width across flats $SW_1$ [mm]	22
Bottom pad type	716	Width across flats $SW_2$ [mm]	12
Pad thickness unloaded [mm]	15		
Coefficient of friction on concrete with fine mortar	0.85		
Coefficient of friction tolerance +/-	0.1		
Hardness [° Shore A]	70 - 75		
Bottom pad area $A_1$ [cm <sup>2</sup> ]	190		
Top pad type	706		
Pad thickness unloaded [mm]	5		
Coefficient of friction on concrete with fine mortar	0.85		
Hardness [° Shore A]	70 - 75		
Top pad area $A_2$ [cm <sup>2</sup> ]	190		

### Dimensioned sketch



### Mounting sketch

