

Technical datasheet

Wedgmounts 304-VRC /NK

Art. no.
1.30304.65

For transport lines, special machines and tool machines. High load capacity, excellent constant leveling stability and overall stability.

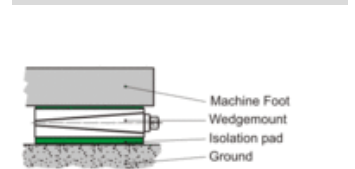
Max. load
18000 lbs

Article information	
Type	304-VRC /NK
Name	Wedgmounts
Art. no.	1.30304.65
Color	RAL 7016 anthracite grey
Other colors upon request.	
Surface treatment	painted

Type illustration



System description

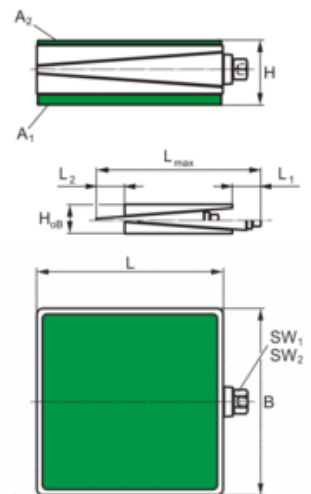


Technical Data	
Max. load [lbs]	18000
Leveling range [mm]	5
Leveling range [mm]	-8
Leveling distance per turn [mm]	0.28
Temperature range from [°C]	-20
Temperature range to [°C]	80
Weight [kg]	7.5

Dimensions	
Height H [mm]	71
Height H_{0B} in neutral position, without pads [mm]	53
Length L [mm]	170
Length L_1 [mm]	61
Length L_2 [mm]	28
Length L_{max} [mm]	257
Width B [mm]	170
Width across flats SW_1 [mm]	22
Width across flats SW_2 [mm]	12

Pad equipment	
Bottom pad type	915
Pad thickness unloaded [mm]	15
Coefficient of friction on concrete with fine mortar	0.8
Coefficient of friction tolerance +/-	0.1
Hardness [° Shore A]	90 - 95
Bottom pad area A_1 [cm ²]	275
Top pad type	903
Pad thickness unloaded [mm]	3
Coefficient of friction on concrete with fine mortar	0.8
Hardness [° Shore A]	90 - 95
Top pad area A_2 [cm ²]	275

Dimensioned sketch



Mounting sketch

