

# Technical datasheet

## Wedgmounts 406-VRC /NF

Art. no.  
**1.30406.61**

For passive placement of sensitive devices and machine placement in multi storied buildings.  
Best vibration isolation.

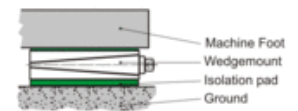
Max. load  
**3100 lbs**

Article information	
Type	406-VRC /NF
Name	Wedgmounts
Art. no.	1.30406.61
Color	RAL 7016 anthracite grey
Other colors upon request.	
Surface treatment	Painted



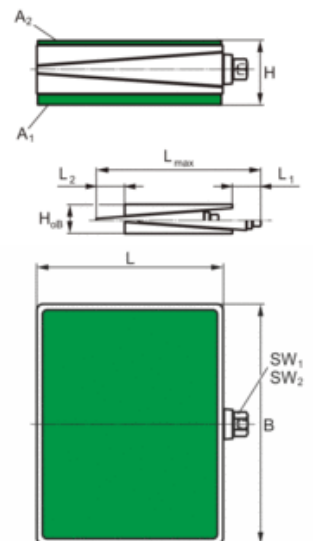
Technical Data		Dimensions	
Max. load [lbs]	3100	Height H [mm]	70
Leveling range [mm]	5.5	Height $H_{0B}$ in neutral position, without pads [mm]	54
Leveling range [mm]	-6	Length L [mm]	115
Leveling distance per turn [mm]	0.27	Length $L_1$ [mm]	59
Temperature range from [°C]	-20	Length $L_2$ [mm]	30
Temperature range to [°C]	80	Length $L_{max}$ [mm]	221
Weight [kg]	8.611	Width B [mm]	250

**System description**



Pad equipment		Dimensions	
Bottom pad type	B1	Width across flats $SW_1$ [mm]	22
Pad thickness unloaded [mm]	13	Width across flats $SW_2$ [mm]	12
Coefficient of friction on concrete with fine mortar	0.9		
Coefficient of friction tolerance +/-	0.1		
Hardness [° Shore A]	40 - 45		
Bottom pad area $A_1$ [cm <sup>2</sup> ]	275		
Top pad type	903		
Pad thickness unloaded [mm]	3		
Coefficient of friction on concrete with fine mortar	0.8		
Hardness [° Shore A]	90 - 95		
Top pad area $A_2$ [cm <sup>2</sup> ]	275		

**Dimensioned sketch**



**Mounting sketch**

