

Technical datasheet

Wedgmounts 414-VRC /NA

Art. no.
1.30414.56

For tool, plastic, graphic and general production machines. Superior isolation and damping properties. Excellent non-skid properties.

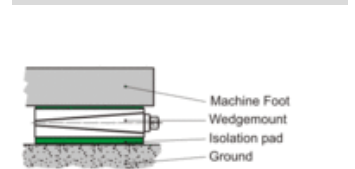
Max. load
34000 lbs

Article information	
Type	414-VRC /NA
Name	Wedgmounts
Art. no.	1.30414.56
Color	RAL 7016 anthracite grey
Other colors upon request.	
Surface treatment	painted

Type illustration

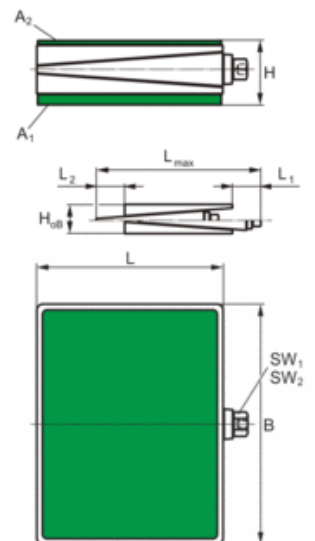


System description



Technical Data		Dimensions	
Max. load [lbs]	34000	Height H [mm]	104
Leveling range [mm]	9	Height H_{0B} in neutral position, without pads [mm]	84
Leveling range [mm]	-9	Length L [mm]	300
Leveling distance per turn [mm]	0.23	Length L_1 [mm]	117
Temperature range from [°C]	-15	Length L_2 [mm]	79
Temperature range to [°C]	100	Length L_{max} [mm]	497
Weight [kg]	32.95	Width B [mm]	250
Pad equipment		Width across flats SW_1 [mm]	36
Bottom pad type	716		
Pad thickness unloaded [mm]	15		
Coefficient of friction on concrete with fine mortar	0.85		
Coefficient of friction tolerance +/-	0.1		
Hardness [° Shore A]	70 - 75		
Bottom pad area A_1 [cm ²]	750		
Top pad type	706		
Pad thickness unloaded [mm]	5		
Coefficient of friction on concrete with fine mortar	0.85		
Hardness [° Shore A]	70 - 75		
Top pad area A_2 [cm ²]	750		

Dimensioned sketch



Mounting sketch

