

Technical datasheet

Wedgmounts 414-VRC /NK

Art. no.
1.30414.65

Max. load
67500 lbs

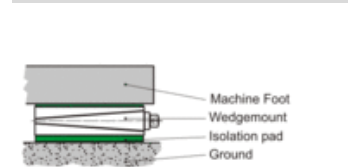
For transport lines, special machines and tool machines. High load capacity, excellent constant leveling stability and overall stability.

Article information	
Type	414-VRC /NK
Name	Wedgmounts
Art. no.	1.30414.65
Color	RAL 7016 anthracite grey
Other colors upon request.	
Surface treatment	painted

Type illustration

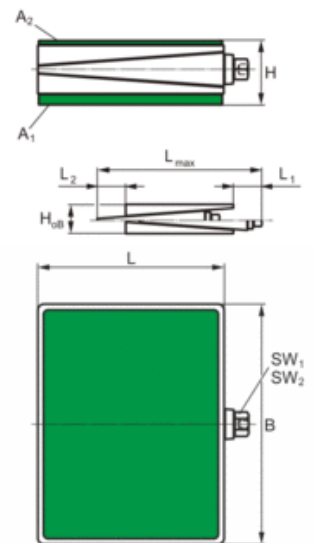


System description



Technical Data		Dimensions	
Max. load [lbs]	67500	Height H [mm]	102
Leveling range [mm]	9	Height H_{0B} in neutral position, without pads [mm]	84
Leveling range [mm]	-9	Length L [mm]	300
Leveling distance per turn [mm]	0.23	Length L_1 [mm]	117
Temperature range from [°C]	-20	Length L_2 [mm]	79
Temperature range to [°C]	80	Length L_{max} [mm]	497
Weight [kg]	33.4	Width B [mm]	250
Pad equipment		Width across flats SW_1 [mm]	36
Bottom pad type	915		
Pad thickness unloaded [mm]	15		
Coefficient of friction on concrete with fine mortar	0.8		
Coefficient of friction tolerance +/-	0.1		
Hardness [° Shore A]	90 - 95		
Bottom pad area A_1 [cm ²]	750		
Top pad type	903		
Pad thickness unloaded [mm]	3		
Coefficient of friction on concrete with fine mortar	0.8		
Hardness [° Shore A]	90 - 95		
Top pad area A_2 [cm ²]	750		

Dimensioned sketch



Mounting sketch

