

Technical datasheet

Wedgmounts 2006.2-VRKCV /902



Art. no.
1.37106V.59

For lathes, grinding machines, boring machines, transport lines and special machines. Ideal stability and non-skid properties. Without vibration isolation.

Max. load
13000 lbs

Article information	
Type	2006.2-VRKCV /902
Name	Wedgmounts
Art. no.	1.37106V.59
Color	RAL 7016 anthracite grey
Other colors upon request.	
Surface treatment	Painted

Technical Data		Dimensions	
Max. load [lbs]	13000	Height H [mm]	78
Inclination [°]	3	Height H_{OB} in neutral position, without pads [mm]	76
Leveling range [mm]	6	Length L [mm]	160
Leveling range [mm]	-6	Length L_1 [mm]	75
Leveling distance per turn [mm]	0.15	Length L_2 [mm]	49
Temperature range from [°C]	-20	Length L_{max} [mm]	285
Temperature range to [°C]	80	x [mm]	80
Weight [kg]	7.288	y [mm]	58
Pad equipment		Width B [mm]	115
Bottom pad type	902	Diameter D_1 [mm]	113
Pad thickness unloaded [mm]	2	Inner diameter d_1 [mm]	20.5
Coefficient of friction on concrete with fine mortar	0.8	Width across flats SW_1 [mm]	19
Hardness [° Shore A]	90 - 95		
Bottom pad area A_1 [cm ²]	184		

Suitable studs	
	Studs RGM more
	Studs S more

Useful remarks	
Accessories: AirLoc Spacer type 113V-6/12	

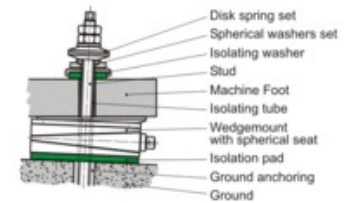
Accessories	
	Spherical washers set more
	Disk springs more
	Isolating washers more
	Isolation tubes more
	AirLoc-Spacer more

Remark extent of supply	
Studs need to be ordered separately.	

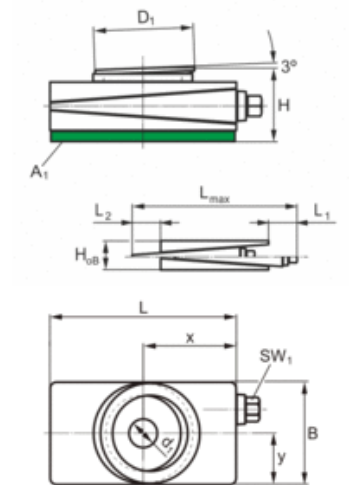
Type illustration



System description



Dimensioned sketch



Mounting sketch

